

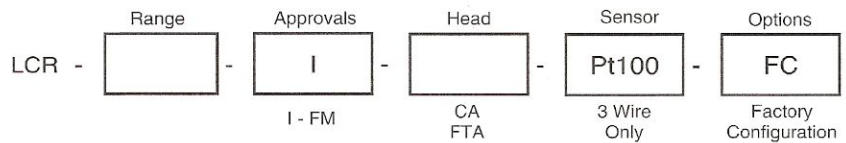
Programmable and Fixed Range - Type LCR



SPECIFICATIONS: Type LCR (fixed range)

Input RTD	RTD 3 wire	
	Pt100 (a=0.00385)	
Sensor Failure	Upscale	Downscale
Zero	-50 to 50 C	-60 to 120 F
Output	4-20 mA	
Operating Temperature	-40 to +185 F	
Galvanic Isolation	NO	
Power Supply	8.5 to 30 VDC	
Intrinsic Safety	FM: Class I, Div. 1, Gr. A-D	
Accuracy	+/- 0.15% of span	
Linearization	Temperature Linear Output	

To Order:



Loop Powered Indicator - Option LPI

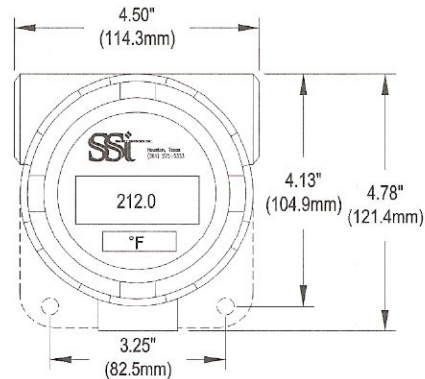
Display 4 Digit LED

Power Loop Powered

Loop Drop < 4.0 V @ 20 mA

Input 4-20mA Input

Range -1999 to 9999 DP



Battery Powered Indicator - Option BPI

Display 4 Digit LCD
Menu Selectable:
RTD/TC Type

Battery Single AA size Lithium
Thionyl Chloride 3.6V

Power Life 3 years minimum

Input Pt100

Accuracy 0.30 F +/- 0.1% Rdg

Input J, K, T, E

Accuracy +/- 0.1% FS +/- 0.9 F

RANGES:

Type	Range (C)	Range (F)
K	-200 to 1370	-328 to 2498
J	-200 to 1200	-328 to 2192
T	-210 to 400	-346 to 752
Pt100	-200 to 850	-328 to 1562

