

The thermocouple and RTD designs for the type 1400 are multi-purpose but all can be easily installed in an existing thermowell. All thermocouples are made with high purity mineral oxide insulation and a high temperature stainless steel sheath. RTD's are selected by determining the temperature range and vibration considerations. When inserting in a thermowell the lengths "L" for each type are determined by the overall length of the well plus 1/2". The overall length of the well equals the "U" length + the "T" length (see pages A-8 - A-19). The 1400 has a sealed weld connection preventing hot gases from escaping and consequently can be used without a thermowell. The 1443 is designed specifically for use in a thermowell and comes with a spring assembly which insures positive contact to the bottom of the well and provides good response characteristics. The 1445 eliminates the need for an exact immersion length.

**To order:** Indicate the code letter or value for each requirement.

### HEAD TYPE

- O No Head
- CA Cast Aluminum
- CI Cast Iron
- CSS Cast Stainless Steel
- LCA Large Cast Aluminum
- PP Polypropylene (Black)
- PPS Polypropylene Sanitary
- FTA Flip Top Aluminum
- FTP Flip Top Poly (white)
- EPA Explosion Proof Aluminum
- EPS Explosion Proof Stainless Steel
- EHA Explosion Proof Aluminum
- EHI Explosion Proof Iron

### SENSOR TYPE

- 1440
- 1443
- 1445

### Sensor Calibration

- J Iron Constantan®
  - K Chromel® Alumel®
  - T Copper Constantan®
  - E Chromel® Constantan®
  - N Nicrosil® Nisil®
  - PO Low Temp RTD to 500° F
  - PH High Temp RTD to 900° F
  - PM Heavy Duty RTD to 1100° F
- Standard RTD is a three-wire 100 ohm Platinum / .00385 Alpha. For special limits on thermocouples, repeat calibration code, i.e. JJ. For Smart Stuff sensors use S prefix in front of calibration code.*

### Sensor OD

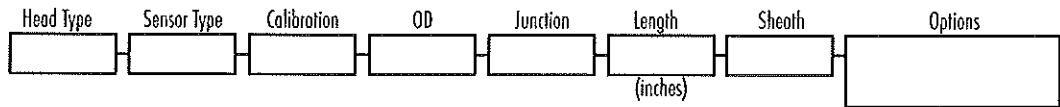
- 18 1/8"
- 316 3/16"
- 14 1/4"
- 516 5/16"
- 38 3/8"

### Sensor Junction

- G Grounded
- U Ungrounded
- DG Dual Grounded
- DU Dual Ungrounded
- S Single RTD
- D Dual RTD

### Sensor Sheath Materials

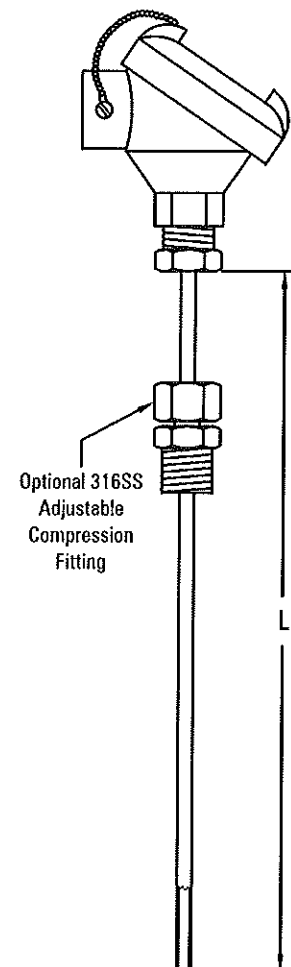
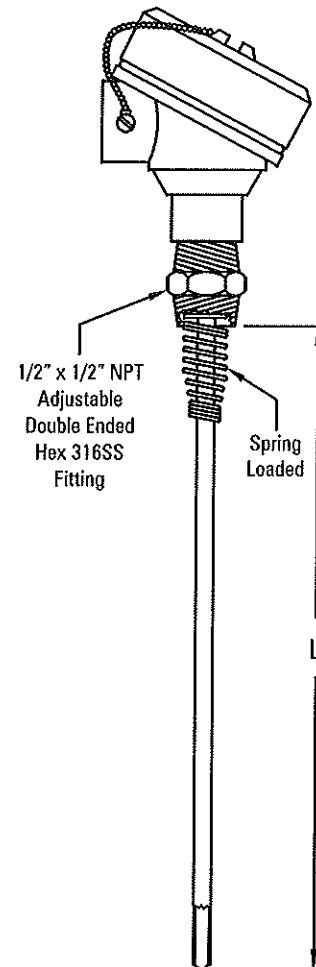
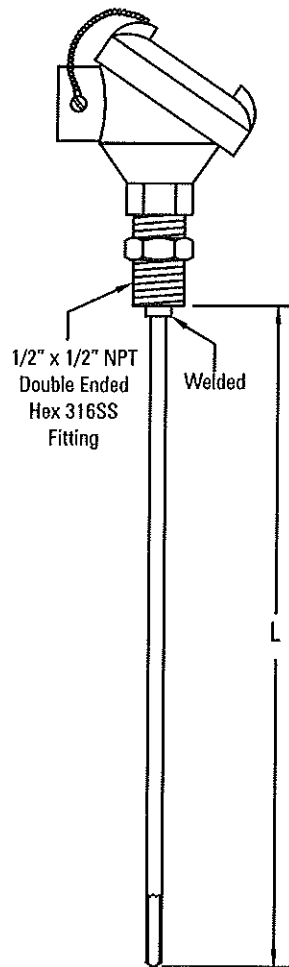
- P 304SS
  - R 316SS
  - Q 310SS
  - A Alloy 600
- Standard Sheath Material is 316SS.*



TYPE 1440

TYPE 1443

TYPE 1445



Sensor Options		Transmitter/Indicator Options	
BR18	Adj Brass Comp Fitting 1/8" NPT*	LCR	Fixed Range Type, RTD, FM
BR14	Adj Brass Comp Fitting 1/4" NPT*	PT	Programmable FM
BR12	Adj Brass Comp Fitting 1/2" NPT*	HC	Hart® Compatible
CT	Compensated Terminals (EHA/EHI head only)	Provide Range and Temp F/C	
FW	Four Wire RTD	<i>See pages A-33 - A36 for additional transmitter information.</i>	
GA	Class A Tolerance per ASTM 1137	*LPI	Loop Temperature Indicator (use with transmitter) <i>See pages A-33 - A34 for additional transmitter information.</i>
SS18	Adj SS Comp Fitting 1/8" NPT*	*BPI	Battery Powered Indicator
SS14	Adj SS Comp Fitting 1/4" NPT*		
SS12	Adj SS Comp Fitting 1/2" NPT*		
TW	Two Wire RTD		
VH	Vent hole for fittings insert following fitting part no.		